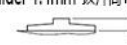



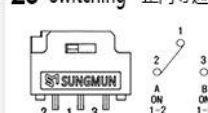




## General Specification 基本参数

- |  |   |
|--|---|
| <b>1. Rating:</b><br>额定功率                      | 500mA, DC 12V~300mA, DC 24V                             |
| <b>2. Contact Resistance:</b><br>接触电阻          | 30mΩ Max.   |
| <b>3. Insulation Resistance:</b><br>绝缘电阻       | 10,000MΩ Min at DC 500V                                 |
| <b>4. Operating Force:</b><br>操作扭力             | 250gf ±150gf  |
| <b>5. Life Cycle:</b><br>使用寿命                  | 2,000 cycle (with load)<br>10,000 cycles (without load) |
| <b>6. Travel:</b><br>拨动行程                      | 1.6mm   |
| <b>7. Operating Temperature Range:</b><br>使用温度 | -40°C +85°C   |

## HOW TO ORDER 选型规则

SSI Type 系列型号	L Slider 拨片高度	10 Circuit 导通方式	H Terminal 引脚方式	OR Body Color 主体颜色	0 Slider Color 拨片颜色	Packing 包装
<b>SSI</b> Standard Materials 标准材料型  <b>NSI</b> Lead-free Materials 无铅材料型	- Slider 1.4mm 拨片高1.4mm  L Slider 2.8mm 拨片高2.8mm  *Only For "10"(Change Over) Type *仅适用于“反向导通”产品  - Slider 0mm 拨片高0mm  *Only For "20"(Switching) Type *仅适用于“正向导通”产品	<b>10</b> Change Over 反向导通   <b>20</b> Switching 正向导通 	- Straight Ter' 5mm 直插 脚长5mm  <b>H</b> Right Angle Ter' 3.7mm 弯脚 脚长3.7mm  <b>S</b> Straight SMD 立式贴片  <b>HS</b> Right Angle SMD 卧式贴片	*For SSI Type Only - ('0') Dark Gray 黑灰色  <b>OR</b> Orange 橙色  *Number '0' instead of Blank to distinguish slider & body colors *当拨片颜色为非默认颜色时, 用数字 '0' 代表默认颜色以区别主体颜色和拨片颜色	*For SSI Type Only - ('0') Red 红色  <b>K</b> Black 黑色  <b>V</b> Ivory 米白色  <b>Y</b> Yellow 黄色  *Number '0' instead of Blank to distinguish slider & body colors *当主体颜色为非默认颜色时, 用数字 '0' 代表默认颜色以区别主体颜色和拨片颜色	- Polybag 袋装  <b>TR</b> Reel Packing 编带

### MODULAR BUILDING BLOCK

Mini Slide Switch Modules can be mounted side by side

### 模块化构件

迷你滑动开关可模块化并排安装

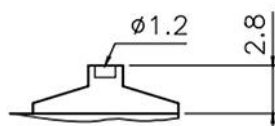


## 1. Slider 滑片高度

**-** Slider 1.4mm  
(For Change Over Type)  
拨片高度 1.4mm  
(适用于“反向导通”产品)



**L** Slider 2.8mm  
(For Change Over Type)  
拨片高度 2.8mm  
(适用于“反向导通”产品)



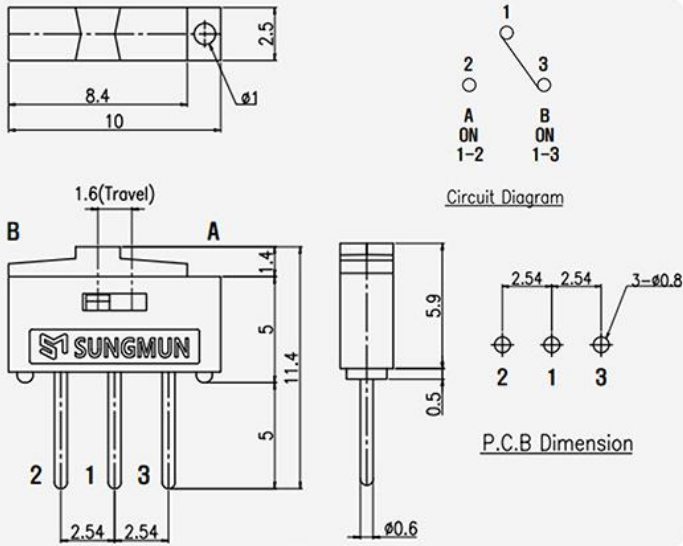
**-** Slider 2.8mm  
(For Switching Type)  
拨片高度 0mm  
(适用于“正向导通”产品)



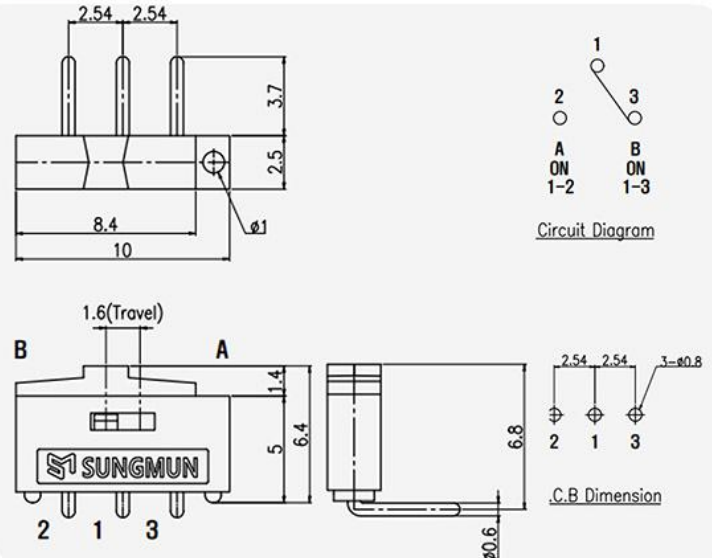
## 2. Circuit & Terminal 导通方式&引脚方式



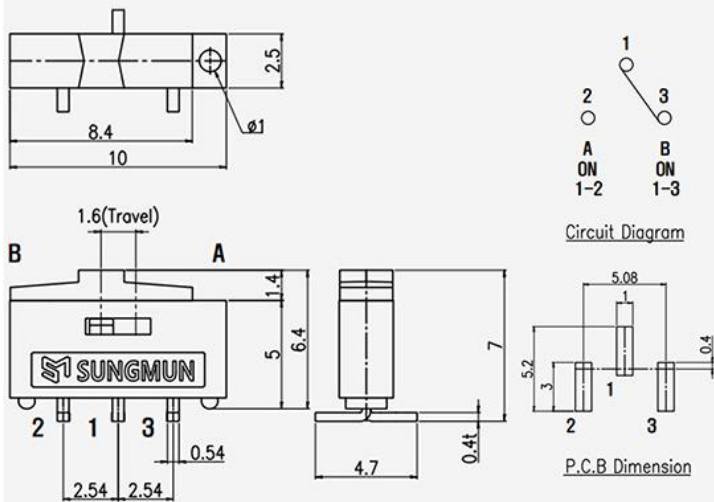
### SSI-10 Change over Through Hole 反向导通/直插脚



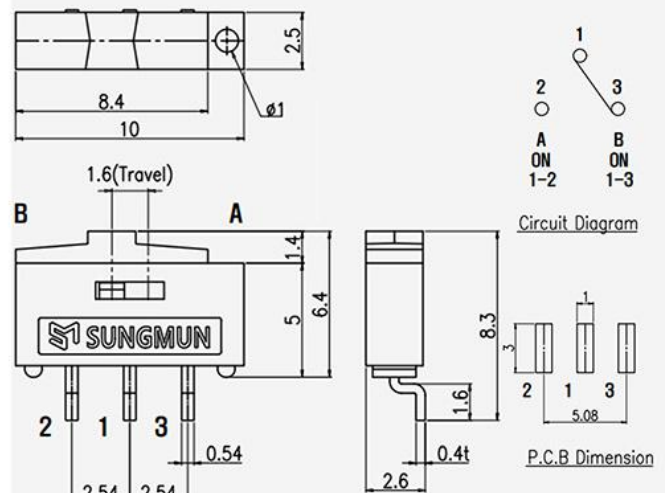
### SSI-10H Change over Right Angled 反向导通/卧式弯脚



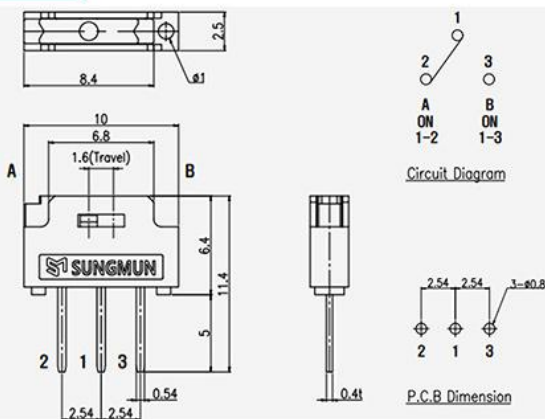
### NSI-10S Change over SMD 反向导通/立式贴片



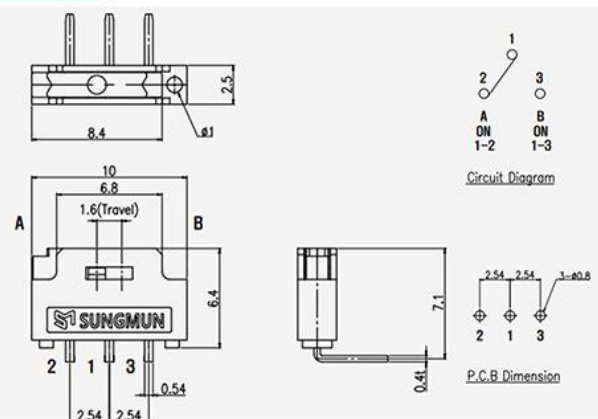
### NSI-10HS Change over Right Angled SMD 反向导通/卧式贴片



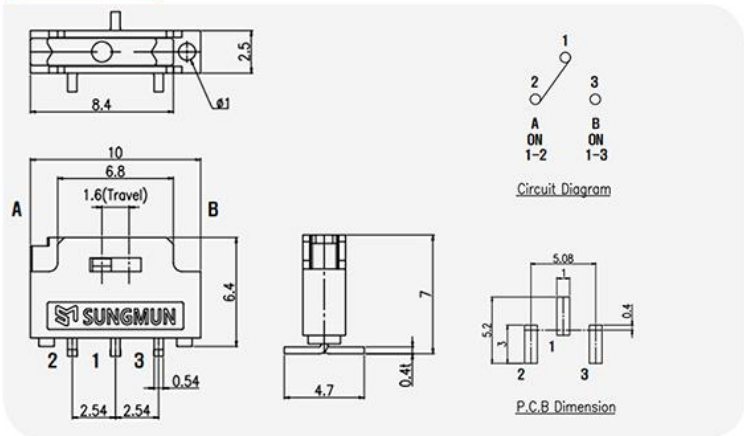
### NSI-20 Switching Through Hole 正向导通/直插脚



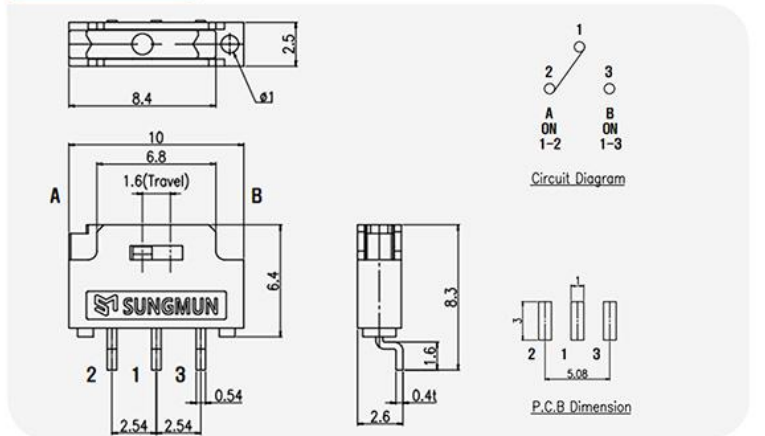
### NSI-20H Switching Right Angled 正向导通/卧式弯脚



**NSI-20S** Switching SMD 正向导通/ 立式贴片



**NSI-20HS** Switching Right Angled SMD 正向导通/ 卧式贴片



**3. Color 颜色**

**SSI-10**  
Dark Grey Red  
黑灰 红



**SSI-10- 0 K**  
Dark Grey Black  
黑灰 黑



**SSI-10- 0 Y**  
Dark Grey Yellow  
黑灰 黄



**SSI-10- 0 V**  
Dark Grey Ivory  
黑灰 米白



**SSI-10- OR 0**  
Orange Red  
橙 红



**NSI-10**  
Blue Red  
蓝 红



**NSI-10S**  
Dark Grey Ivory  
黑灰 米白



**NSI-10HS**  
Dark Grey Ivory  
黑灰 米白



**NSIL-10S**  
Dark Grey Black  
黑灰 黑



**NSIL-10HS**  
Dark Grey Black  
黑灰 黑



**NSI-20**  
Blue Red  
蓝 红



**NSI-20S**  
Dark Grey Grey  
黑灰 浅灰



**NSI-20HS**  
Dark Grey Grey  
黑灰 浅灰



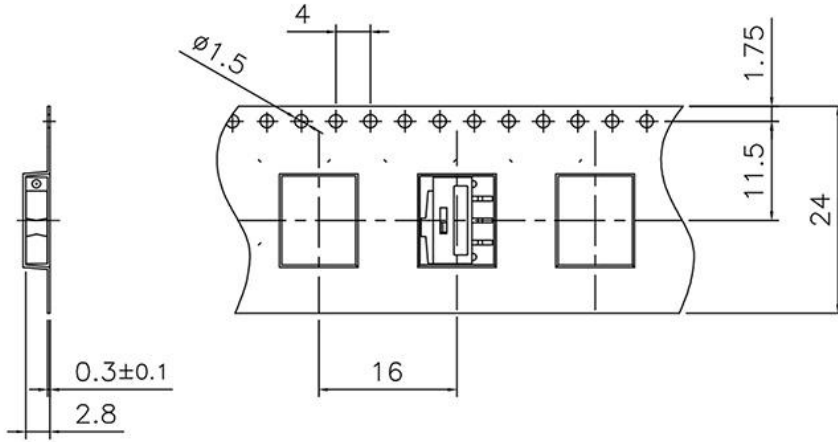
**特殊颜色要求定制  
请联系业务员确认**

## 4. Packing 包装



### 1. SMD Type of Angle Terminal

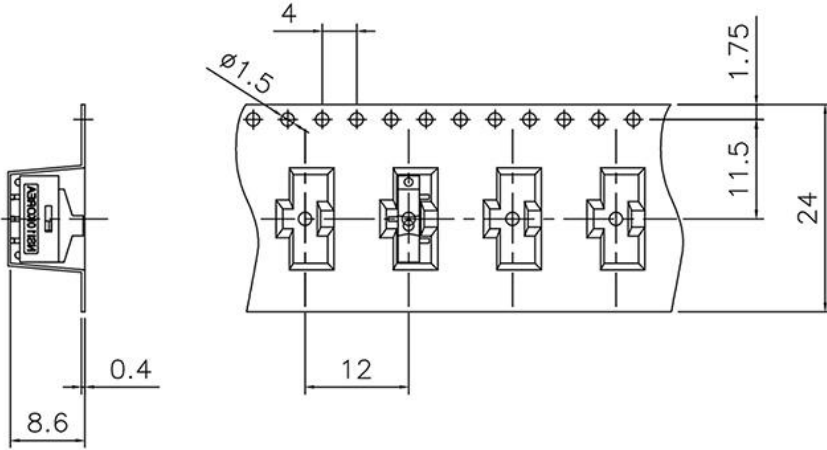
- ( NSI-10HS )
- ( NSI-20HS )



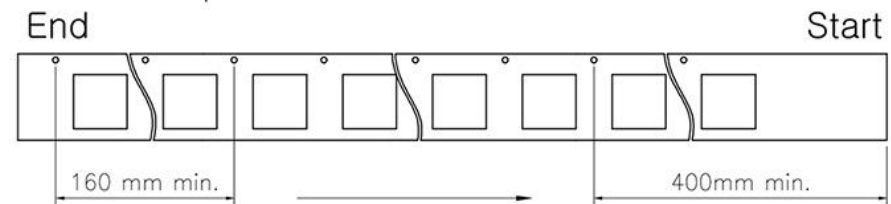
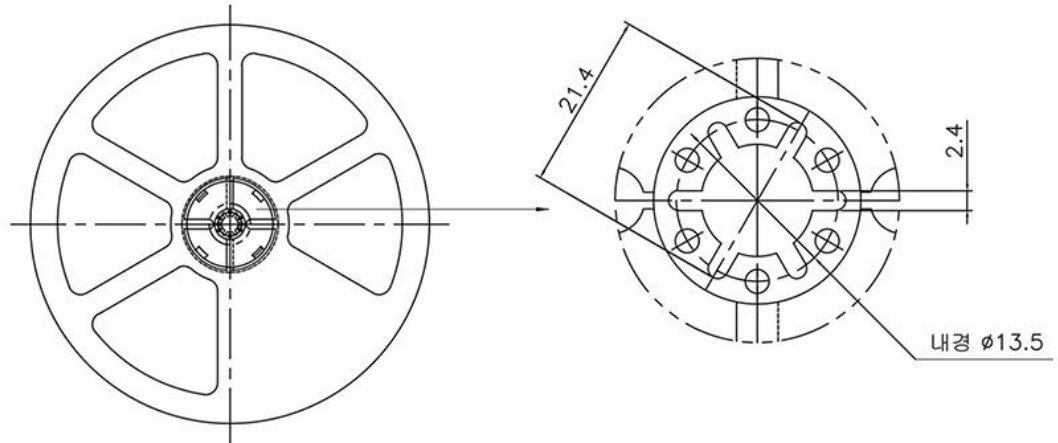
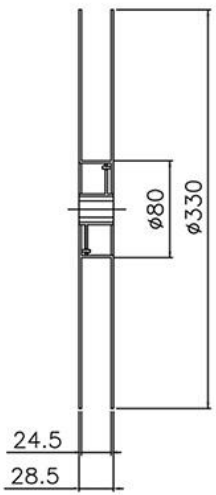
Units(pcs)
1,500

### 2. SMD Type of Vertical Terminal

- ( NSI-10S )
- ( NSI-20S )
- ( NSIL-10S )



Units(pcs)
700



## SSI / NSI Series Mini Slider Switch Specification SSI / NSI 系列迷你滑动开关 电气参数

### 1. Electrical Characteristics :

- 1.1 Rating : AC, DC 12V 0.5A~24V 0.3A (Minimum current: 1mA)
- 1.2 Contact Resistance : Max 30 mΩ
- 1.3 Insulation Resistance : Min 10,000 MΩ at DC 500V
- 1.4 Withstanding Voltage : 1min at AC 500V

### 2. Mechanical Characteristics :

- 2.1 Operating Force : 250gf ± 150gf
- 2.2 Travel : 1.6mm
- 2.3 Insulator :
  - 2.3.1 Case : Glass Fiber resin
  - 2.3.2 Slide : Glass Fiber resin
- 2.4 Terminal : Nickel, Gold Plate

### 3. Life Test :

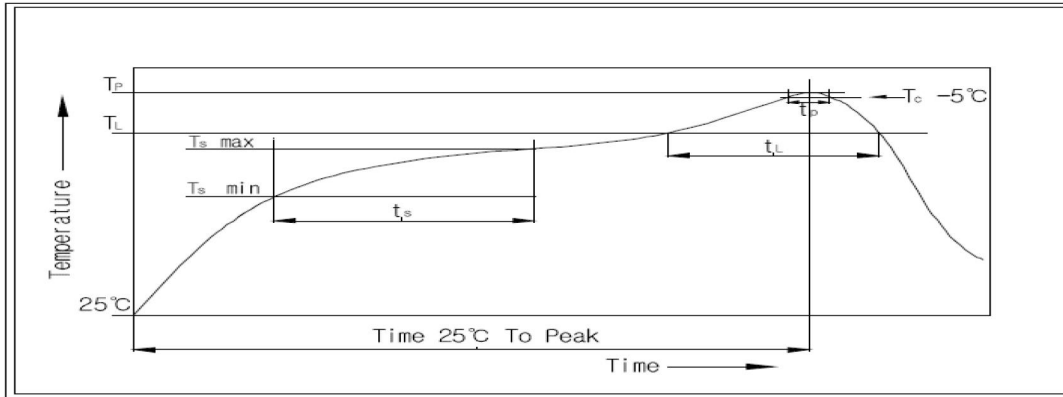
- 3.1 Test Condition : Operations at a rate of 15-20 cycles in 1 minute
  - 3.1.1 With load : 2,000 cycles
  - 3.1.2 Without load : 10,000 cycles
- 3.2 Operating Force : With +40%, -40% of Initial Value
- 3.3 Contact Resistance : Max 200mΩ

### 4. Environmental Characteristics :

- 4.1 Operating Temperature : -40°C to +85°C
- 4.2 Storage Temperature : -40°C to +85°C
- 4.3 Humidity Test :
  - 4.3.1 Test Conditions : Measured 1hour after exposure to ambient  
After 96hours exposure at 40±2°C, 90-95% R.H
  - 4.3.2 Insulation Resistance : Min 100MΩ, at DC 500V
  - 4.3.3 Withstanding Voltage : 1min at AC 250V

## 5. Solder Conditions :

- 5.1 Hand Solder : 3~4 sec. at 350°C (Dipping type)
- 5.2 Wave Solder : 5 sec. at 260°C (Dipping type)
- 5.3 Reflow Solder (SMD type)



### 5.3.1 Condition for Soldering

Profile Feature	Pb-Free Assembly
Average Ramp-UP Rate( $T_s \text{ max}$ to $T_P$ )	3°C/second max
Preheat	
- Temperature Min( $T_s \text{ min}$ )	150°C
- Temperature Max( $T_s \text{ max}$ )	200°C
- Time ( $t_s \text{ min}$ to $t_s \text{ max}$ )	60-180seconds
Time maintained above:	
- Temperature ( $T_L$ )	217°C
- Time ( $t_L$ )	60-150seconds
Peak/Classification Temperature( $T_P$ )	260°C +0°C/ -5°C
Time within 5°C of actual Peak Temperature( $T_P$ )	5~10 seconds
Ramp-Down Rate	6°C/sec max
Time 25°C to Peak Temperature	8 minutes max